

IGDU GEN II Upgrade Kit

Install & User Guide

IGDU GEN II Upgrade Kit includes:

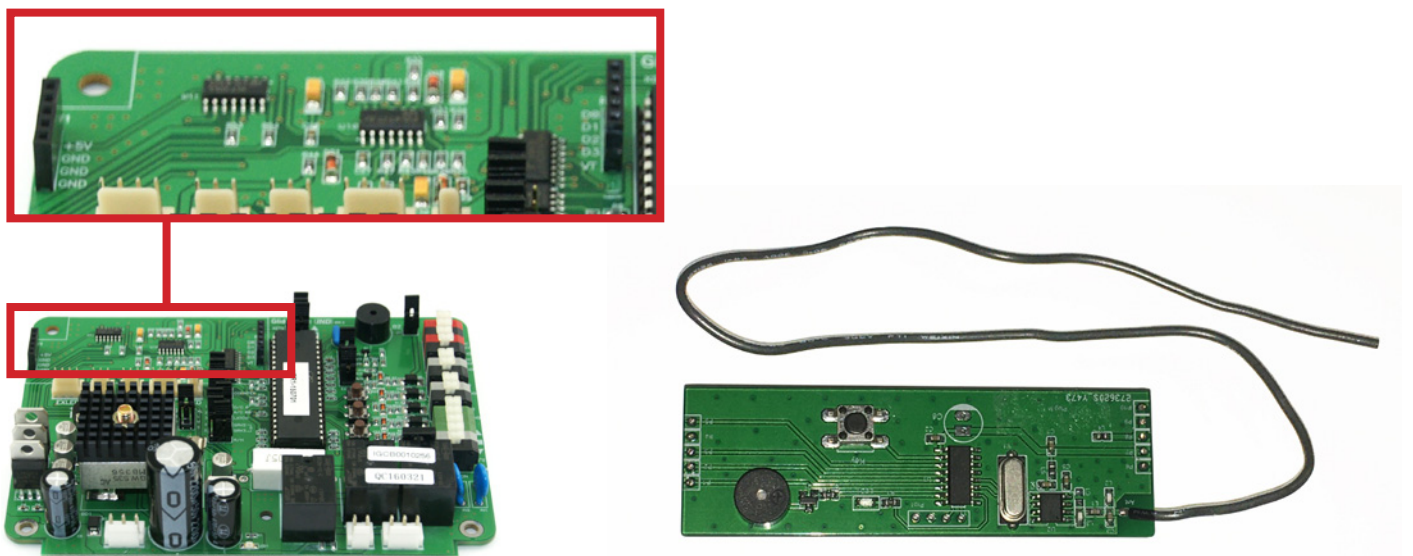
- 2 x Gliderol TM390+ remotes
- 1 x Plug-in Receiver Board
- 2 x PE Beams
- 2 X 'L' Shaped Mounting Brackets
- 1 x Fixings Bag

The IGDU GEN II Upgrade Kit enables safe and convenient handset operation of your Gliderol IGDU opener. The following details will assist in the installation of your new IGDU GEN II Upgrade Kit.



Step 1: Install Plug-in Receiver Board

Connect receiver board to main circuit board in the top left hand corner using the pins on the back of the receiver, ensuring they are aligned and all pins are connected (please note pins are off-center to ensure the board is not connected the wrong way around).



IGDU GEN II Upgrade Kit

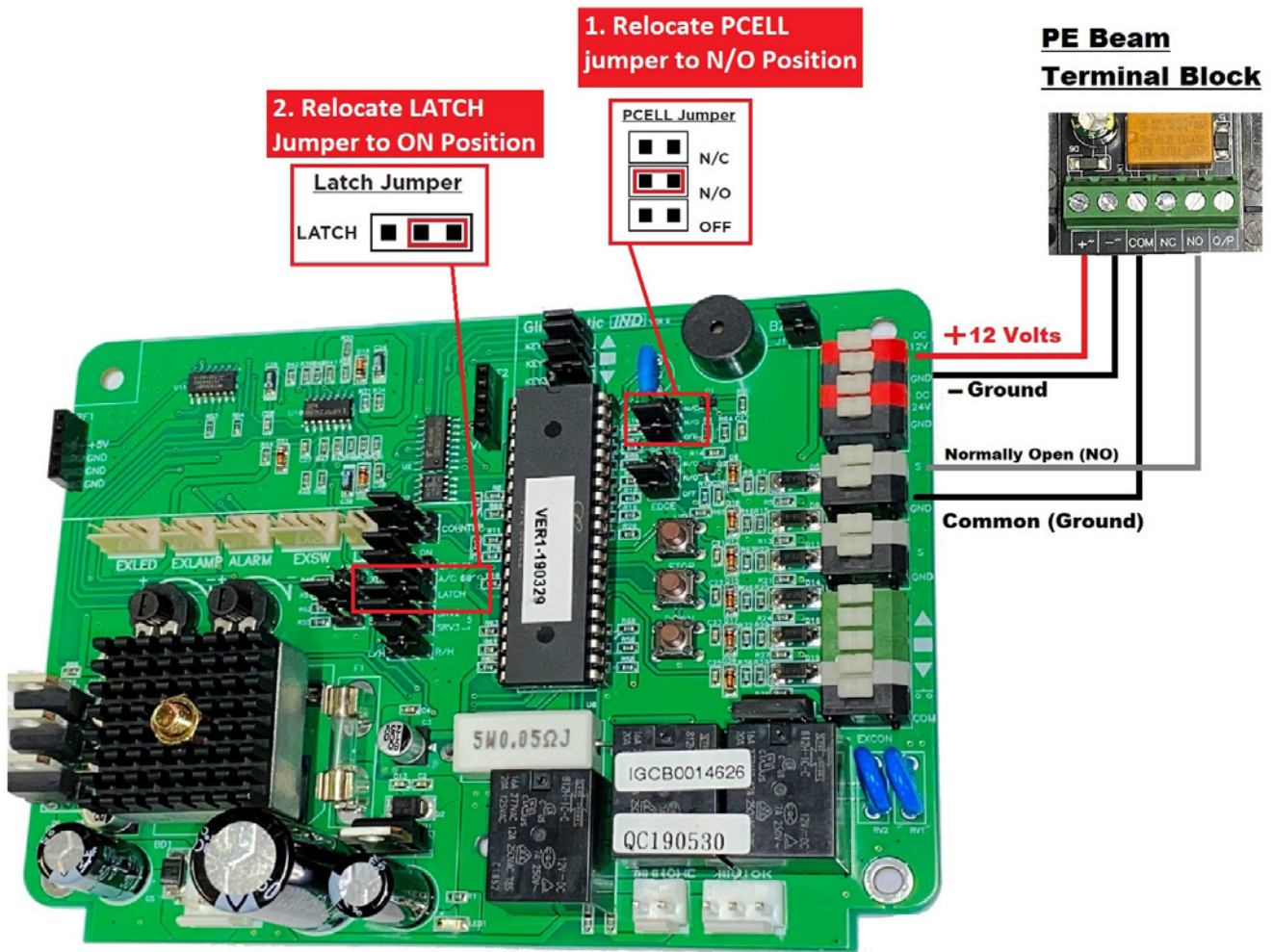
Install & User Guide cont...

Step 2: Install Safety Beam Kit

Safety Beam sensors work to detect obstructions within the opening (stopping the travel of the door if an obstruction is identified) and are recommended as a supplementary safety system. Safety Beams also enable your openers auto-close feature, ensuring your door is never left open.

CAUTION: Always disconnect power to unit prior to making any settings changes.

Safety Beam Wiring Diagram



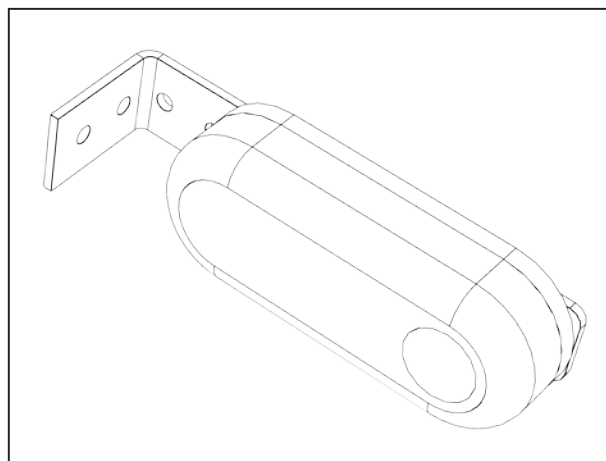
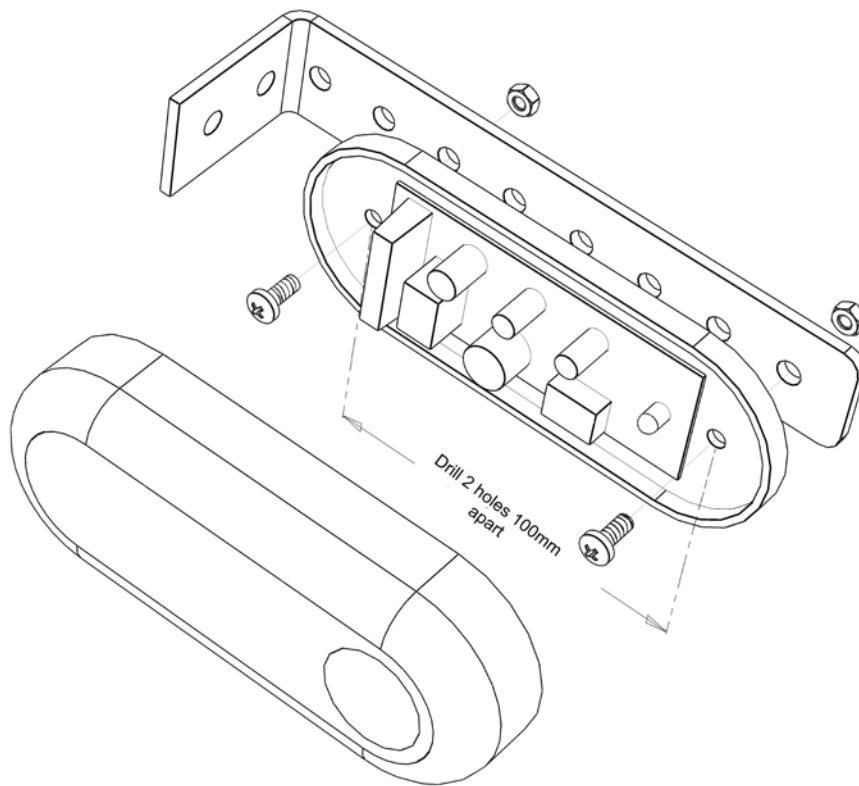
IGDU GEN II Upgrade Kit

Install & User Guide cont...

Step 3: Install PE Beams

Once all wiring has been completed, the accompanying PE Beams must be installed.

Attach lower PE Beam case to L Bracket using 4M -10mm bolts and nuts supplied. With holes to be drilled 4mm diameter with 100mm apart in lower PE Beam case. Upper case clips on to lower case and is held in place with fixing screw.



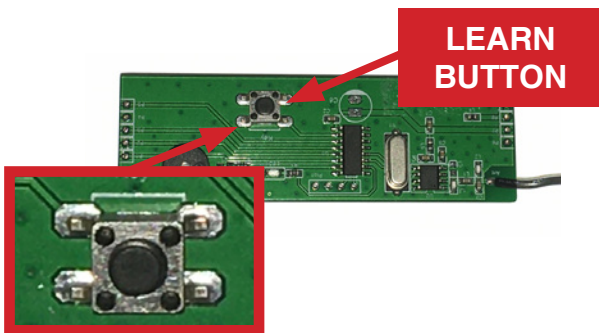
IGDU GEN II Upgrade Kit

Install & User Guide cont...

Step 4: Program Remote

The following instructions demonstrate how to program a new or additional Gliderol handset to suit your existing IGDU control box.

Part 1:



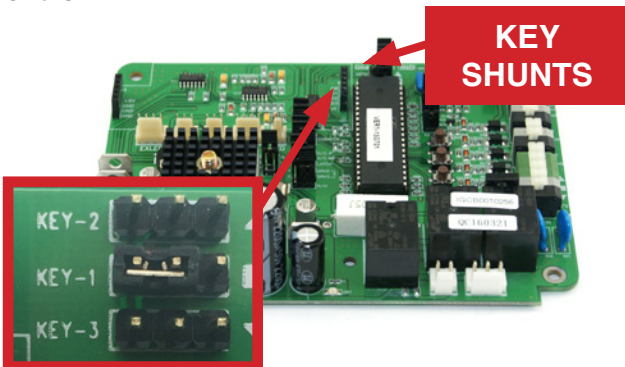
Press the black button (located on the receiver board) once. A red light will illuminate to confirm the unit is in learn mode.

Part 2:



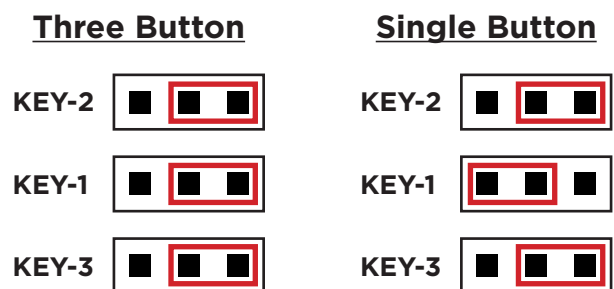
Press and hold the large button on your handset once and then wait until the red light on the receiver board turns off. Your handset programming is now complete.

Part 3:



Locate the three key shunts on the main control board (adjacent to the receiver board). These are labelled KEY-2, KEY-1 & KEY-3 and correspond to the buttons on your remote.

Part 4:



The factory setting on your opener is three button operation. To enable single button operation, reconfigure the key shunts as per the above diagram.

IGDU GEN II Upgrade Kit

Install & User Guide cont...

**Your IGDU GEN II Upgrade Kit
has now been installed.**



For further assistance or to discuss your IGDU GEN II Upgrade Kit
please contact your local Gliderol office on 1300 799 177.