

K Series

Irreversible Operator for Residential Sliding Gates



- With KS control boards built inside, with **gradual start**, electronic adjustment of the force, **soft-stop in approaching and electronic brake** (as standard features) and with **OPTICAL ENCODER** in the PLUS versions.
- The ENCODER, which is included in the **PLUS versions**, detects when the gate comes into contact with an obstacle, and reverses the

movement (as required by new European regulations EN12453, EN12445) without the need to fit edge sensors.

- All the K operators allow **slow-down of the gate when approaching**, giving the movement a still greater sense of safety and fluidity.
- K400 PLUS 12V** version with the buffer battery mean that blackouts will pass totally unnoticed. In

fact it is possible to do **up to 150 cycles** during the black out period on a 3mt long sliding gate.

- New vertical limit switches system
- Release with personalized key.

for Sliding Gates weighing up to 400Kg

AD00805 K400 PLUS* complete with KS control board 12V (SOLD AS KIT)

for Sliding Gates weighing up to 800Kg

AD00808 K800 PLUS* complete with KS control board (SOLD AS KIT)

for Sliding Gates weighing up to 1400Kg

AD00800 K1400 FAST SLIDER* complete with KS control board

for Sliding Gates weighing up to 2200Kg

AA30024 K2200 PLUS* complete with KS control board

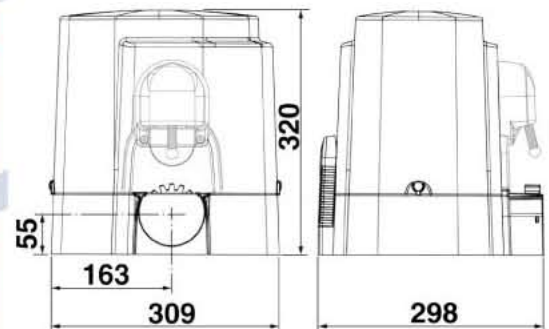
* PLUS K with Encoder (code ACG5460) built-in to detect obstacles during opening and closing operations.



for Sliding Gates

TECHNICAL DATA

		K400	K800	K1400	K2200
Max. gate weight	Kg	400	800	1400	2200
Operating speed	m/s	0,160			
Max. thrust force	N	110	600	640	1150
Power supply	V	12	230		
Max. power absorbed	A	1,5	1	1,18	1,1
Rack module		4			
Actuator weight	Kg	9	9,5	10	10,5
Protection grade	IP	44			
Nominal cycles		47/25s	7/38s	7/64s	12/64s
Daily cycles suggested		300	300	600	800
Service		80 %	50 %	70 %	70 %
Nr of consecutive cycles guar.		42/5m	8/10m	19/10m	15/10m



Measurements in mm

Kit Sets



for Sliding Gates weighing up to 800Kg

Australian Offices
International Manufacturers
and Licensees

**Head Office
South Australia**
Gliderol Garage Doors
32 Jacobsen Crescent
Holden Hill SA 5088
Telephone: (08) 8261 5633
Facsimile: (08) 8266 4712

Southern Office
1 Bredbo St,
Lonsdale South Australia 5160
Telephone: (08) 8186 4040
Facsimile: (08) 8268 4712

New South Wales
Manufacturing Complex
45 Sammut Street
Sraithfield NSW 2164
Telephone: (02) 9725 1033
Facsimile: (02) 9725 1115

Sales Office & Showroom
3a Alexander Street
Auburn NSW 2144
Telephone: (02) 9644 6533
Facsimile: (02) 9644 6544

Newcastle
Unit 2-87 Glenwood Drive
Thornton NSW 2322
Telephone: (02) 4966 8500
Facsimile: (02) 4966 8511

Wollongong
Unit 2-1 Luso Drive
Unanderra NSW 2526
Telephone: (02) 4272 3220
Facsimile: (02) 4272 3084

Queensland
45 Harvey Street
Eagle Farm QLD 4009
Telephone: (07) 3868 2766
Facsimile: (07) 3868 2760

Victoria
23 Kitchen Road
Dandenong VIC 3175
Telephone: (03) 9793 5455
Facsimile: (03) 9706 8492

Western Australia
Perth
21 Prindville Drive
Wangara WA 5065
Telephone: (08) 9409 3000
Facsimile: (08) 9409 3200

Bunbury
Unit 4, 31 Denning Road
Bunbury, WA, 6230
Telephone: (08) 9721 7600
Facsimile: (08) 9721 7600

Tasmania
Gliderol Garage Doors Pty Ltd
C/o 23 Kitchen Road
Dandenong VIC 3175
Telephone: (03) 9793 5455
Facsimile: (03) 9706 8492

United Kingdom
Gliderol Roller Doors Ltd
Davy Drive
North West Industrial Estate
Peterlee, County Durham SR8 2JF, UK
Telephone: +44 191 518 0455
Facsimile: +44 191 518 0548

Singapore
Gliderol Doors (S) Pte Ltd
No 86 International Road
Singapore 629176
Telephone: 65 266 6668
Facsimile: 65 266 6866

United States
Gliderol International
Jim Pace
2317 Ridgewood Drive
Plano, Texas 75074
Telephone: 1 972 423 9075
Facsimile: 1 972 423 8735
Email: Jamespace@excite.com

Saudi Arabia
Al-Mozia Garage Doors
Al-Mozia, Dhahran Street
PO Box 10070 P.O. Code 31862
Telephone: (03) 966 3 587 3660
Facsimile: (03) 966 3 587 8050

Bahrain
Atlas Bateek & Sons
PO Box 308
Manama, Bahrain
Telephone: +973 17 401 555
Facsimile: +973 401 333

United Arab Emirates
ADESCO
PO Box 43217, Abu Dhabi
United Arab Emirates
Telephone: 9712-393 915
Facsimile: 9712-393 965

Al Adisani & Partners
Electronic Doors
PO Box 1510
Doha, Qatar
Telephone: 974 4884 340
Facsimile: 974 4884 336

India
Indo-Germa Products Ltd
No 14 Pattulou Road
Chennai 600 002
India
Telephone: +91 44 2 852 0075
Facsimile: +91 44 2 852 0047

Taiwan
Republic of China
Gliderol Taiwan Ltd
105 Chung Shing Road
Hsin Shing Tsun
Lu Chiu Hsiang
Tayuan Hsiang
Taiwan R.O.C.
Telephone: 886 3 323 9200
Facsimile: 886 3 323 9161

Thailand
Gliderol Doors (Thai) Co. Ltd
24/32 Moo 6, Bangna-Trad Road,
Bangnaopong, Smitprakarn 10540
Thailand
Telephone: (662) 740 02313
Facsimile: (662) 740 0235

AD00805	KIT K400 PLUS 12V CC	(up to 400 kg)	with 4,00m nylon rack
AD00808	KIT K800 PLUS 24V	(up to 800 kg)	excludes gear rack



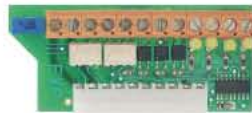
KIT K400 PLUS 12V CC

contains: K500 with K-CRX electronic control board built in, 2 Glide-a-Code 315 mHz 3 button Transmitters and 315 mHz Receiver, 4 metres Module 4 Gear Rack with encoder built in to detect obstacles, pre-wired with 3 pin 240v power cord and plug, 1 warning plate and instruction manual.

KIT K800 PLUS 24V

contains: 1 K800 PLUS 24V with Encoder built-in to detect obstacles during opening and closing operations, 1 KS electronic control board, 2 Glide-a-Code 315 mHz 3 button Transmitters and 315 mHz Receiver, pre-wired with 3 pin 240v power cord and plug, 1 warning plate and instruction manual.

Accessories for K400 PLUS 12V



ACG5471 EXPANDER 12V
for K400 (to add extra features to KS 12V control board)



ACG9510 BATTERY
6Ah 12V for K400 with ACG4646



ACG4646 BATTERY CHARGER
for K400 with battery support



HANDSET TM305B
(requires use in conjunction with stand alone 315Mhz receiver)



**GLIDEROL
GARAGE DOORS**

A Division of Gliderol
International Pty Ltd
ABN 92 007 928 949
An Australian
Manufacturing Company