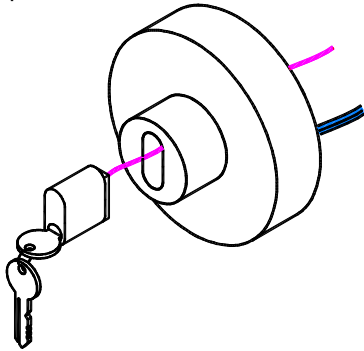


Typical Over-Ride System

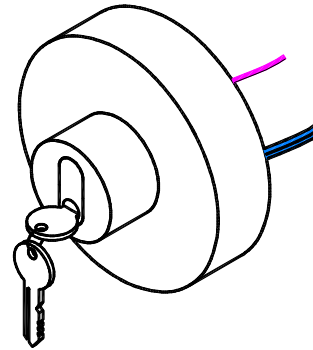
Manual Over-Ride

Turning the key **Anti-clockwise** releases the cylinder to allow a pull release action for manual door lift operation.

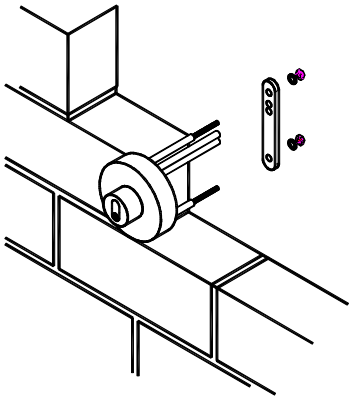


Electronic Over-Ride

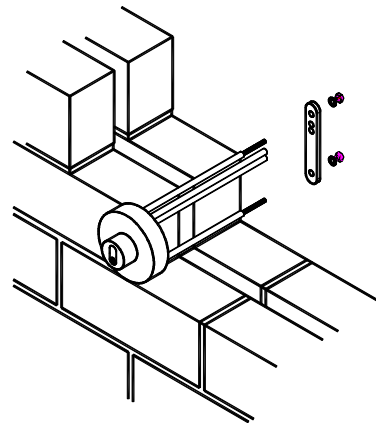
Turning the key **Clockwise** activates an internal electric micro switch which acts a push button to control the door automatically.



Typical Single Brick Fixing



Typical Double Brick Fixing



Flush Ring Mount Kit (optional)

